

STRAW CHOPPER NEW HOLLAND TX66-68



USER´S MANUAL & SPARE PART LIST

Rekordverken Sweden AB
Öttum
535 92 KVÄNUM
Tel. +46-511-303 00 Fax. +46-511-303 01

INDEX

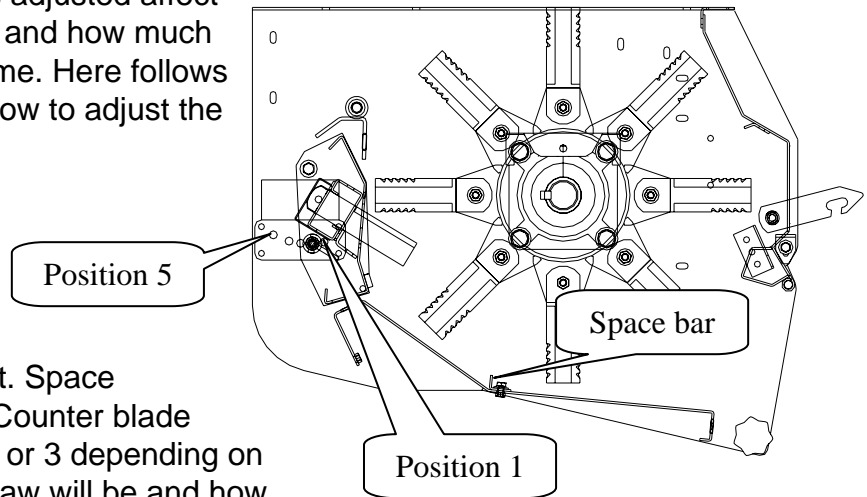
Chapter	Page
Adjusting chopping quality	4
Adjusting chopper vanes	5
Straw Chopper Assy	6-7
Straw Chopper with fan Assy	8-9
Mechanical Tailboard Assy	10-11
Electric Tailboard Assy	12-13

Adjusting chopping quality



CAUTION: Shut off engine, set parking brake and remove key

The chopper can chop many different crops. Counter blade and space bar shall be adjusted depending on crop and chopping result. How the chopper is adjusted affect how long the straw will be and how much power the chopper consume. Here follows some recommendations how to adjust the chopper in different crops.



Cereals:

Wheat, rye, barley and oat. Space bar ought to be installed. Counter blade bar can be in position 1, 2 or 3 depending on how short the chopped straw will be and how wet the straw is. Position 1, take most power and if the straw is moisture, there is a risk that material starts to build up on the counter blade and power consumption will increase. If straw builds up one ought to set counter blade bar to a less aggressive position. It is more important to use space bar then to set the counter blade in a more aggressive position. Space bar consumes less power compared with adjusting counter blade from position 2 to 1. If you priority good chopping result will the chopper consume more power which can effect the combines capacity. It is very important to adjust the chopper correct considering to chopping result and combines capacity.

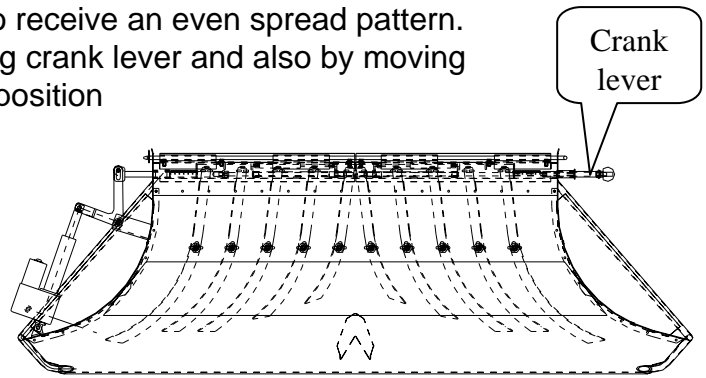
Rape:

If the crop is heavy, space bar ought to be not installed. Counter blade bar ought to be in position 4. A less aggressive position of counter blade helps the material come into the chopper.

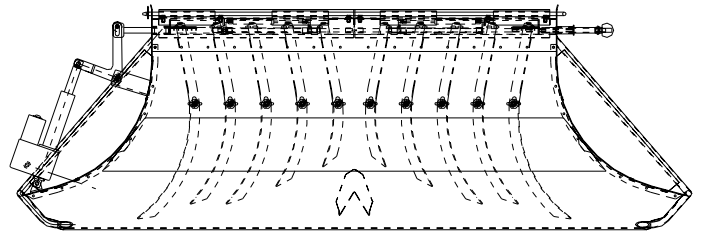
Adjusting chopper vanes

Spreader hood is set from factory to receive an even spread pattern. Adjustments can be made by turning crank lever and also by moving vanes individually at front and rear position

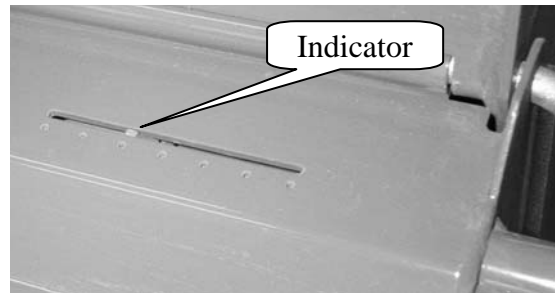
Deflectors can be adjusted for minimum and maximum spread with crank lever. Picture shows maximum spread



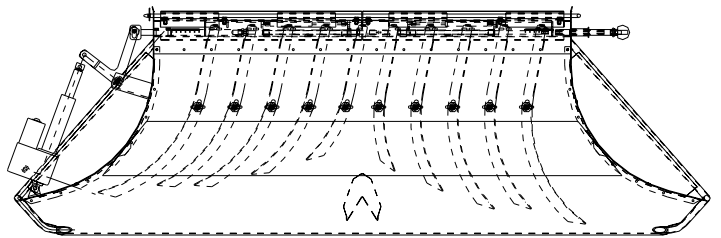
Picture shows minimum spread.



Picture show indicator when vanes are in normal position



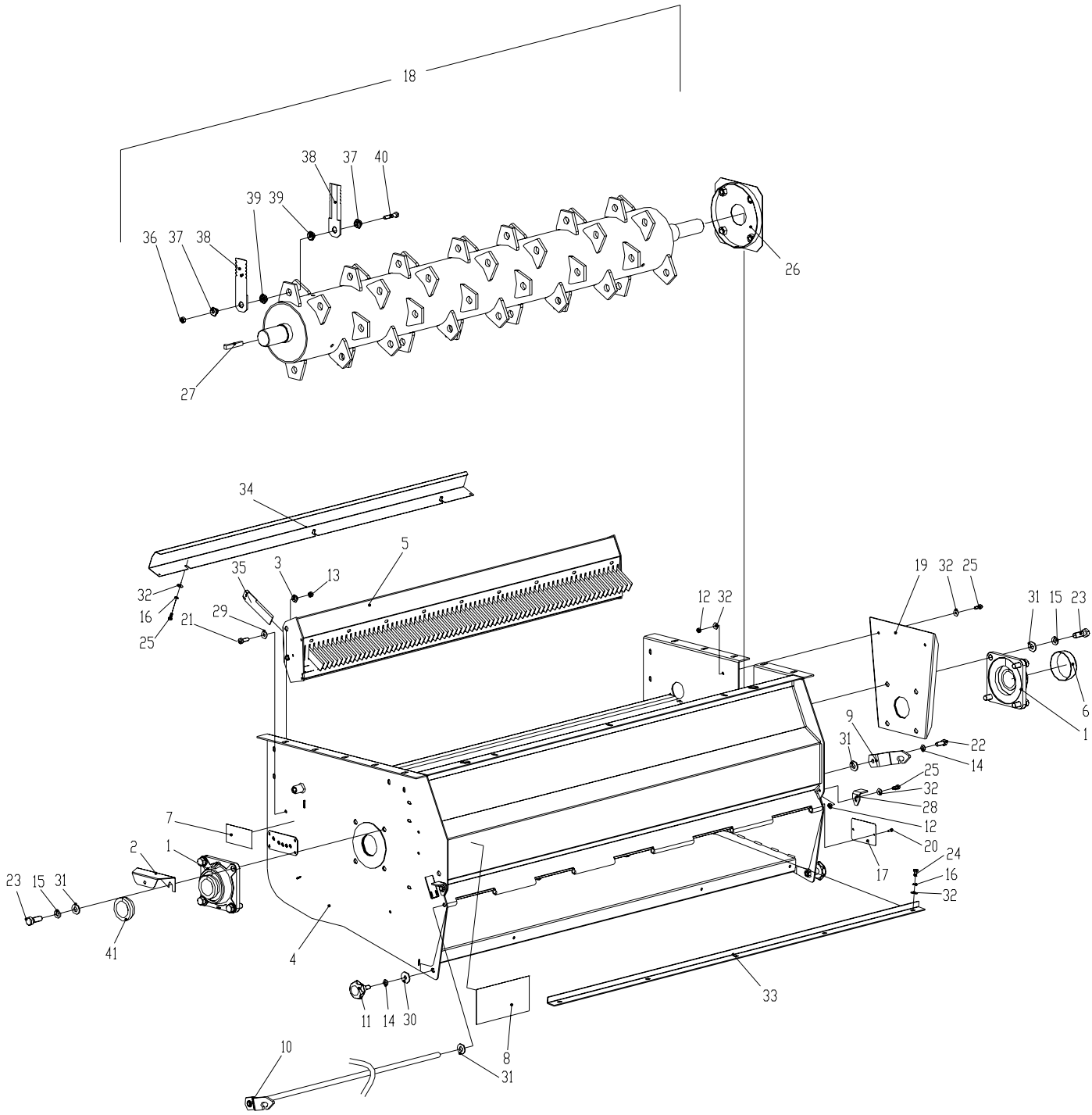
If the wind is blowing from the side, set chopper vanes against the wind to prevent the standing crop from becoming covered with chopped material. Chopper vanes are adjusted centrally by means of electric motor. The adjustment is made from the operator's cab. Picture shows maximum spread to the left and reduced to the right.



Chopper vanes can also be adjusted up and down. Normal position is in the middle of the 3 holes.

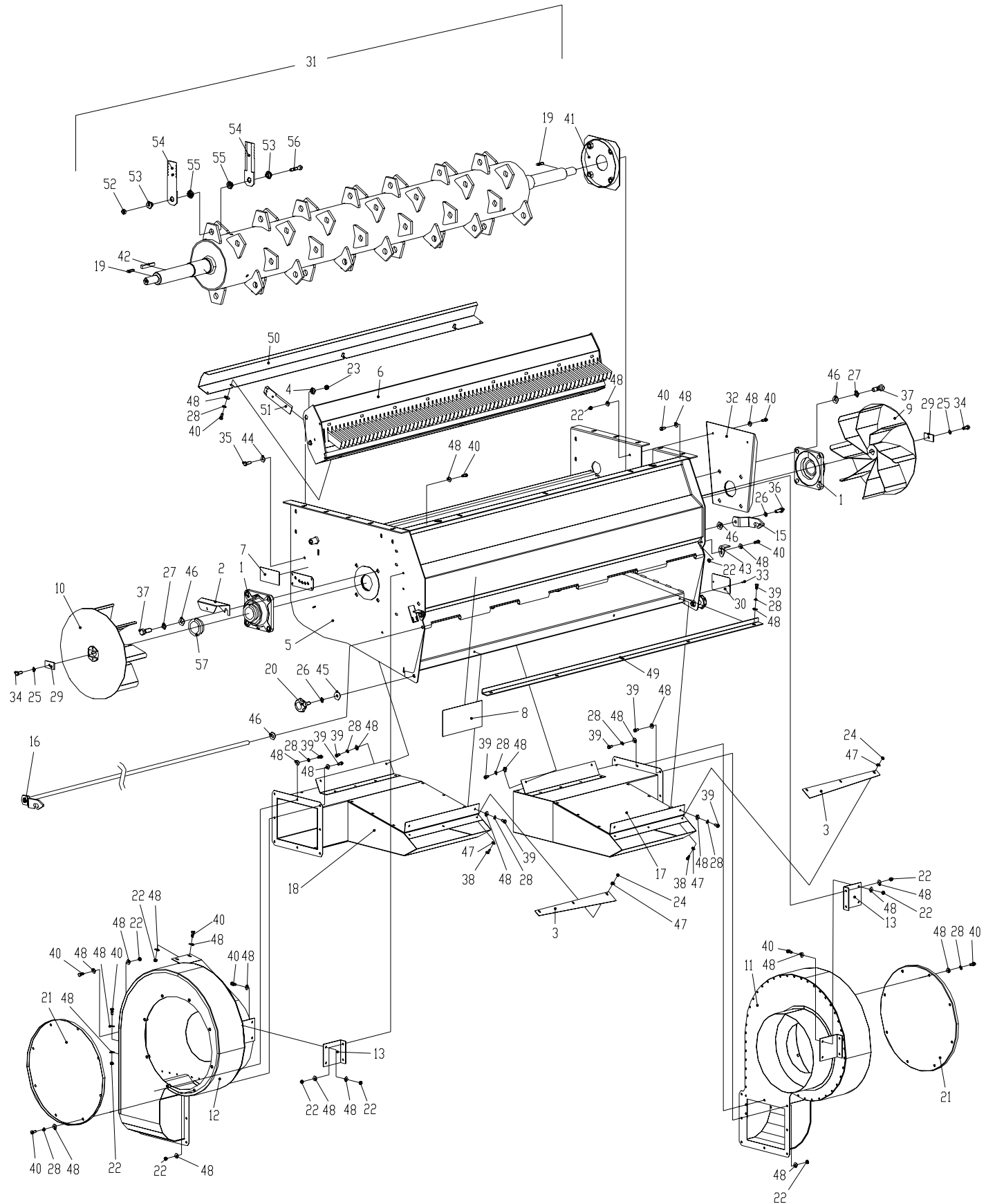


Straw Chopper Assy



Pos	Qty	Description	Dimension	Part.no	Notes
1	2	Bearing house		00596	
2	1	Bracket		47417	
3	2	Bushing 3.5		41350	
4	1	Chopper housing		13028	
5	1	Counter knife bar		35075	
6	1	Cover ECY211		02961	
7	2	Decal		02769	
8	1	Decal		02806	
9	1	Hook		47432	
10	1	Hook		47419	
11	2	Knob nut		02057	
12	4	Lock nut	M8	09558	
13	2	Lock nut	M10	09567	
14	3	Lock washer	12.2x21.1x2.5	00823	
15	8	Lock washer	16.2x27.4x3.5	00815	
16	8	Lock washer	8.1x14.8x2	00811	
17	1	Machine sign		02415	
18	1	P-rotor cpl		13031	
19	1	Plate		35070	
20	2	Pop rivet	4.8x14	02085	
21	2	Screw	M10x30	09218	
22	1	Screw	M12x30	09245	
23	8	Screw	M16x45	09729	
24	5	Screw	M8x16	09208	
25	7	Screw	M8x20	09209	
26	2	Shield		46847	
27	1	Key		00733	
28	2	Stop		46145	
29	2	Washer	10.5x26x2.0	00830	
30	2	Washer	13x38x3.0	00828	
31	10	Washer	17.5x34x3.0	00804	
32	14	Washer	8,4x22x2	00829	
33	1	Wear cross bar		35076	
34	1	Locking plate		35071	
35	69	Counter knife		40151	
36	54	Lock nut	M10	9582	
37	108	Bushing		44001	
38	108	Flail knife		33770	
39	108	Spacer		41349	
40	54	Screw	M10x50	09330	
41	2	Bearing		00597	

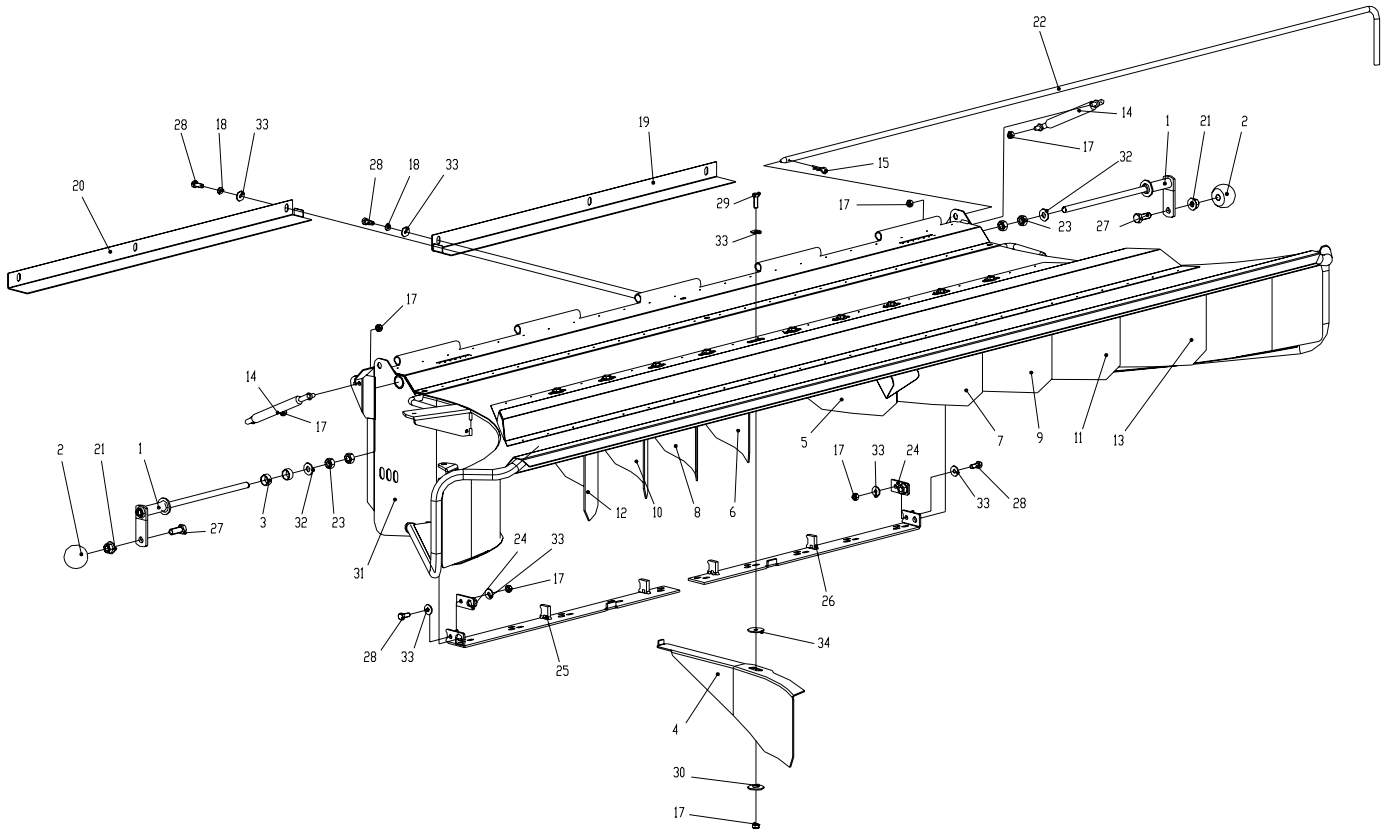
Straw Chopper with fan Assy



Pos	Qty	Description	Dimension	Part.no	Notes
1	2	Bearing house		00596	
2	1	Bracket		47417	
3	2	Bracket		47420	
4	2	Bushing 3.5		41350	
5	1	Chopper housing		13028	
6	1	Counter knife bar		35075	
7	2	Decal		02769	
8	1	Decal		02806	
9	1	Fan wheel		23039	
10	1	Fan wheel		23050	
11	1	Fan housing		13045	
12	1	Fan housing		13046	
13	2	Bracket		35077	
15	1	Hook		47432	
16	1	Hook		47419	
17	1	Channel		23470	
18	1	Channel		23471	
19	2	Key		00724	
20	2	Knob nut		02057	
21	2	Cover		23472	
22	31	Lock nut	M8	09558	
23	2	Lock nut	M10	09567	
24	6	Lock nut	M6 beeloc	09569	
25	2	Lock washer	10.2x18.1	00813	
26	3	Lock washer	12.2x21.1x2.5	00823	
27	8	Lock washer	16.2x27.4x3.5	00815	
28	34	Lock washer	8.1x14.8x2	00811	
29	2	Lock washer	30x5	47163	
30	1	Machine sign		02415	
31	1	Rotor cpl		13027	
32	1	Plate		35070	
33	2	Pop rivet	4.8x14	02085	
34	2	Screw	M10x25	09217	
35	2	Screw	M10x30	09218	
36	1	Screw	M12x30	09245	
37	8	Screw	M16x45	09729	
38	6	Screw	M6x16	09203	
39	29	Screw	M8x16	09208	
40	36	Screw	M8x20	09209	
41	2	Shield		46847	
42	1	Key		00733	
43	2	Stop		46145	
44	2	Washer	10.5x26x2.0	00830	
45	2	Washer	13x38x3.0	00828	
46	10	Washer	17.5X34x3.0	00804	
47	12	Washer	7.0x16	00800	
48	94	Washer	8,4x22x2	00829	
49	1	Wear cross bar		35076	
50	1	Locking plate		35071	
51	69	Counter knife		40151	
52	54	Lock nut	M10	09582	
53	108	Bushing		44001	
54	108	Flail knife		33770	
55	108	Spacer		41349	
56	54	Screw	M10x50	09330	
57	2	Bearing		00597	

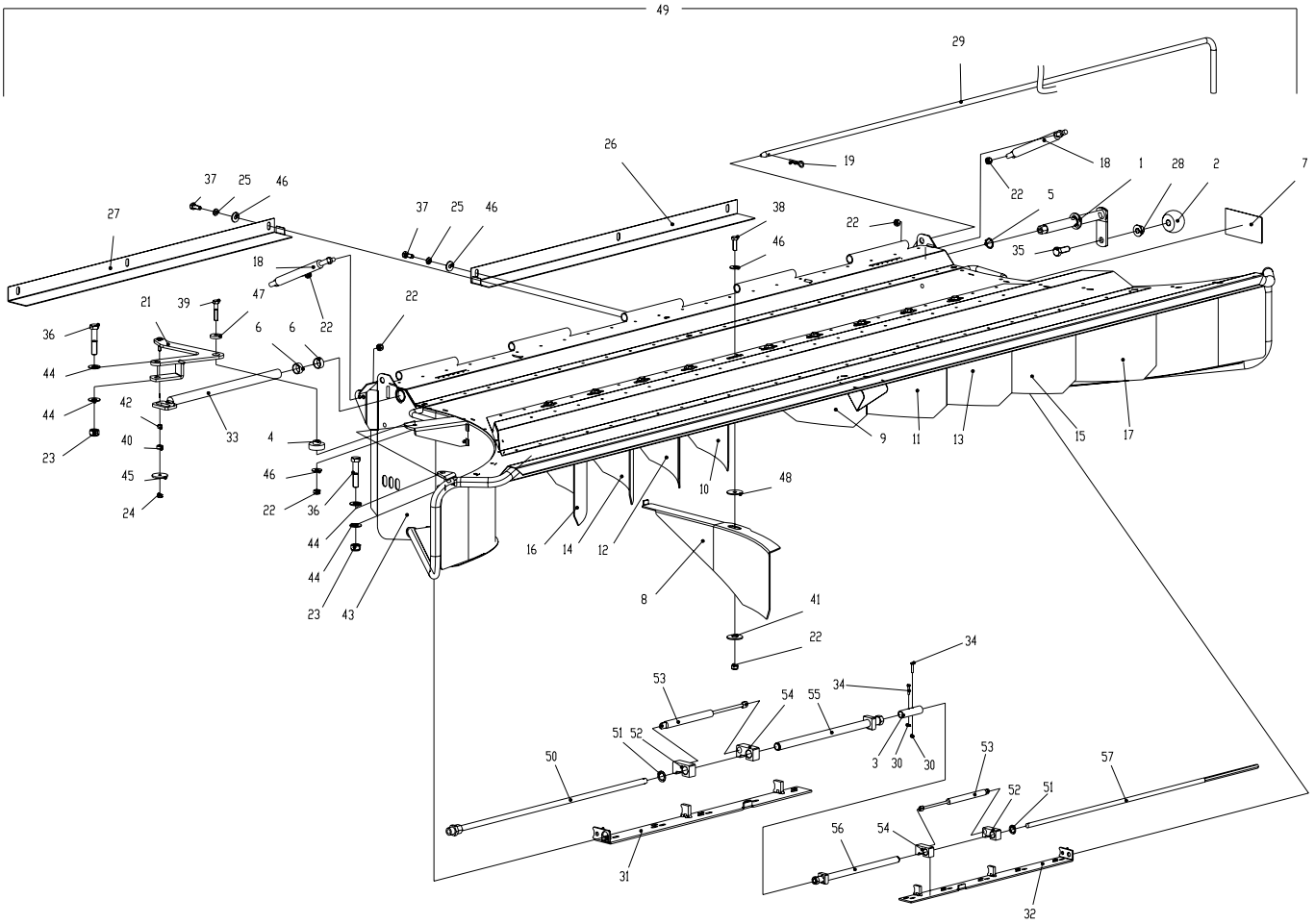
Mechanical Tailboard Assy

35



Pos	Qty		Description	Dimension	Part.no	Notes
	Without fan	With fan				
1	2	2	Adjustment weld		34828	
2	2	2	Ball	M12	02118	
3	2	2	Composite bushing		02309	
4	-	1	Deflector 2 LH		34837	
4	1	-	Deflector 1 LH		34838	
5	-	1	Deflector 2 RH		34833	
5	1	-	Deflector 1 RH		34834	
6	-	1	Deflector 3 LH		34836	
6	1	-	Deflector 2 LH		34837	
7	-	1	Deflector 3 RH		34832	
7	1	-	Deflector 2 RH		34833	
8	-	1	Deflector 3,5 LH		35025	
8	1	-	Deflector 3 LH		34836	
9	-	1	Deflector 3,5 RH		35026	
9	1	-	Deflector 3 RH		34832	
10	1	1	Deflector 4 LH		34835	
11	1	1	Deflector 4 RH		34831	
12	1	1	Deflector 5 LH		34892	
13	1	1	Deflector 5 RH		34893	
14	2	2	Gas spring		02408	
15	1	1	Grip clip		00472	
17	16	16	Lock nut	M8	09558	
18	6	6	Lock washer	8.1x14.8x2	00811	
19	1	1	Locking plate		35080	
20	1	1	Locking plate		35081	
21	2	2	Locknut		09583	
22	1	1	Lockrod	ø12	35084	
23	4	4	Nut	M12	09533	
24	2	2	Nut weld		47333	
25	1	1	Rail LH		23475	
26	1	1	Rail RH		23474	
27	2	2	Screw	M12x30	09245	
28	8	8	Screw	M8x20	09209	
29	10	10	Screw	M8x25	09210	
30	10	10	Spacer	Ø35	47394	
31	1	1	Tailboard		13047	
32	2	2	Washer	12.5x26x2	00826	
33	20	20	Washer	8,4x22x2	00829	
34	10	10	Washer	9x35x2	00849	
35	-	1	Tailboard cpl		13038	
35	1	-	Tailboard cpl		13040	

Electric Tailboard Assy



Pos	Qty		Description	Dimension	Part.no	Notes
	Without fan	With fan				
1	1	1	Adjustment		34882	
2	1	1	Ball	M12	02118	
3	1	1	Bushing	17x2,0	34881	
4	1	1	Bushing	ø35	34519	
5	1	1	Circlip	SGA 20	00616	
6	2	2	Composite bushing		02309	
7	1	1	Decal vanes		02349	
8	-	1	Deflector 2 LH		34837	
8	1	-	Deflector 1 LH		34838	
9	-	1	Deflector 2 RH		34833	
9	1	-	Deflector 1 RH		34834	
10	-	1	Deflector 3 LH		34836	
10	1	-	Deflector 2 LH		34837	
11	-	1	Deflector 3 RH		34832	
11	1	-	Deflector 2 RH		34833	
12	-	1	Deflector 3,5 LH		35025	
12	1	-	Deflector 3 LH		34836	
13	-	1	Deflector 3,5 RH		35026	
13	1	-	Deflector 3 RH		34832	
14	1	1	Deflector 4 LH		34835	
15	1	1	Deflector 4 RH		34831	
16	1	1	Deflector 5 LH		34892	
17	1	1	Deflector 5 RH		34893	
18	2	2	Gas spring		02408	
19	1	1	Grip clip		00472	
21	1	1	Link welded		35085	
22	15	15	Lock nut	M8	09558	
23	2	2	Lock nut	M12	09568	
24	1	1	Lock nut	M6 beeloc	09569	
25	6	6	Lock washer	8.1x14.8x2	00811	
26	1	1	Locking plate		35080	
27	1	1	Locking plate		35081	
28	1	1	Locknut		09583	
29	1	1	Lockrod	ø12	35084	
30	2	2	Nut	M4	09538	
31	1	1	Rail		23475	
32	1	1	Rail		23474	
33	1	1	Rod welded		34819	
34	2	2	Screw	M10x60	09467	
35	1	1	Screw	M12x30	09245	
36	2	2	Screw	M12x60	09227	
37	6	6	Screw	M8x20	09209	
38	10	10	Screw	M8x25	09210	
39	1	1	Screw	M8x40	09273	
40	1	1	Spacer	Ø15	47349	
41	10	10	Spacer	Ø35	47394	
42	1	1	Spacer	ø12	47348	
43	1	1	Tailboard		13047	
44	4	4	Washer	12.5x26x2	00826	
45	1	1	Washer	7x35x3	00860	
46	17	17	Washer	8,4x22x2	00829	
47	1	1	Washer	8.4x26x5	00858	
48	10	10	Washer	9x35x2	00849	
49	-	1	Tailboard cpl		13039	
49	1	-	Tailboard cpl		13041	
50	1	1	Thread rod LH		35087	
51	2	2	Lock washer		03128	
52	2	2	Sliding block		34878	
53	2	2	Gas spring		03127	
54	2	2	Sliding block		47327	
55	1	1	Nut LH		34877	
56	1	1	Nut RH		34880	
57	1	1	Thread rod RH		35089	