



STRAW CHOPPER NEW HOLLAND CX

12936 Straw chopper 5sw 56 knives

12895 Straw chopper 5sw 72 knives

12957 Straw chopper 6sw 68 knives

12810 Straw chopper 6sw 88 knives

12811 Straw chopper with fan 6 sw 108 knives

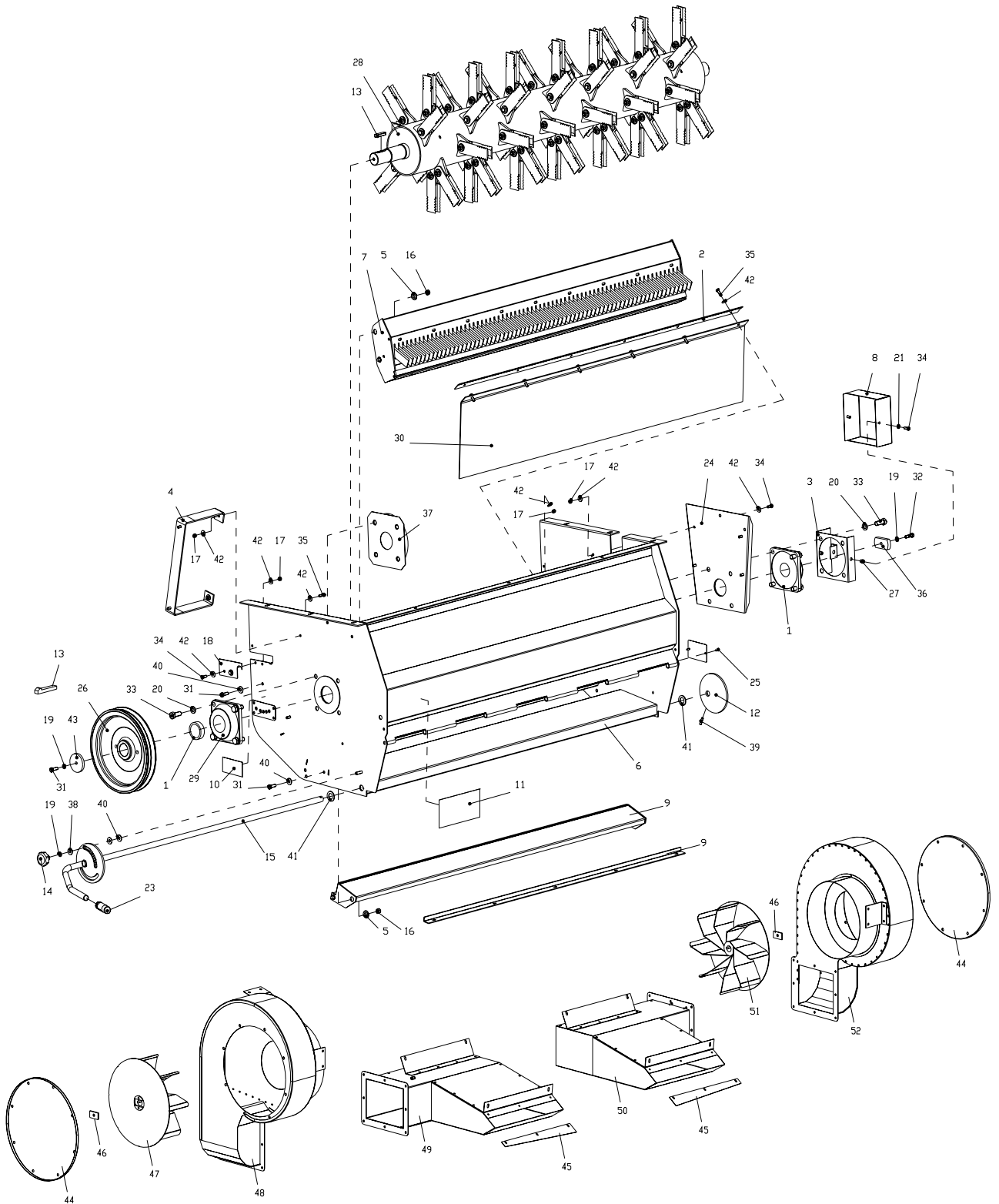
REKORDVERKEN Sweden AB

Öttum

SE-535 92 KVÄNUM

Tel. +46(0)511-303 00 Fax. +46(0)511-303 01

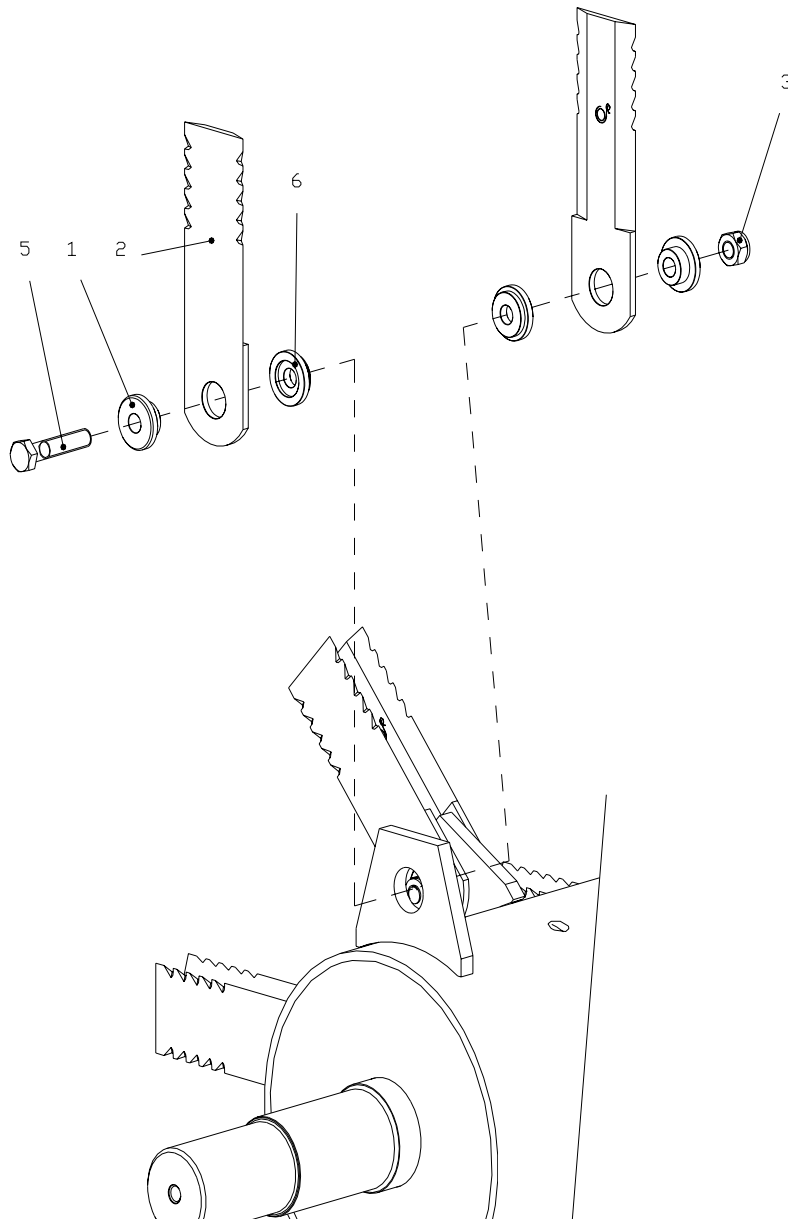
Strawchopper 5sw M403 M803, 6sw M403 M803



Pos	Qty		Description	Dimension	P/N	Notes
	5sw M403	5sw M803				
1	2	2	Bearing		00597	
2	1	1	Bracket		34673	
3	1	1	Bracket		47152	
4	1	1	Bracket		34692	
5	4	4	Bushing 3.5		41350	
6	1	1	Chopper housing		12897	
7	1	1	Counter knife bar assy		34800	
8	1	1	Cover		47154	
9	1	1	Cross bar assy		47320	
10	2	2	Decal		02769	
11	1	1	Decal		02806	
12	1	1	Disc		33547	
14	1	1	Knob		02058	
15	1	1	Lever		23227	
16	4	4	Lock nut	M10 DIN 980	09567	
17	13	13	Lock nut	M8 DIN 980	09558	
18	2	2	Lock plate		47151	
19	2	2	Lock washer	10.2x18.1	00813	
20	8	8	Lock washer	16.2x27.4x3.5	00815	
21	2	2	Lock washer	8.1x14.8x2	00811	
23	1	1	Plastic knob		02115	
24	1	1	Plate		34690	
25	2	2	Pop rivet	4.8x14	02085	
26	1	1	Pulley		23047	
27	2	2	Rivet nut		09584	
28	-	1	Rotor assy NH CX 72 knives		12903	
28	1	-	Rotor assy NH CX 56 knives		12938	
29	2	2	Bearing support		00596	
30	1	1	Rubber cloth		23226	
31	4	4	Screw	M10x30	09218	
32	1	1	Screw	M10x35	09219	
33	8	8	Screw	M16x40	09357	
34	10	10	Screw	M8x20	09209	
35	8	8	Screw	M8x25	09210	
36	1	1	Sensor ring		47153	
37	2	2	Shield		46847	
38	1	1	Special washer		46150	
39	1	1	Tension pin	ø8x30	09703	
40	6	6	Washer	10.5x26x2.0	00830	
41	2	2	Washer	24.0x40x3.0	09649	
42	28	28	Washer	8,4x22x2	00829	
43	1	1	Washer		47198	

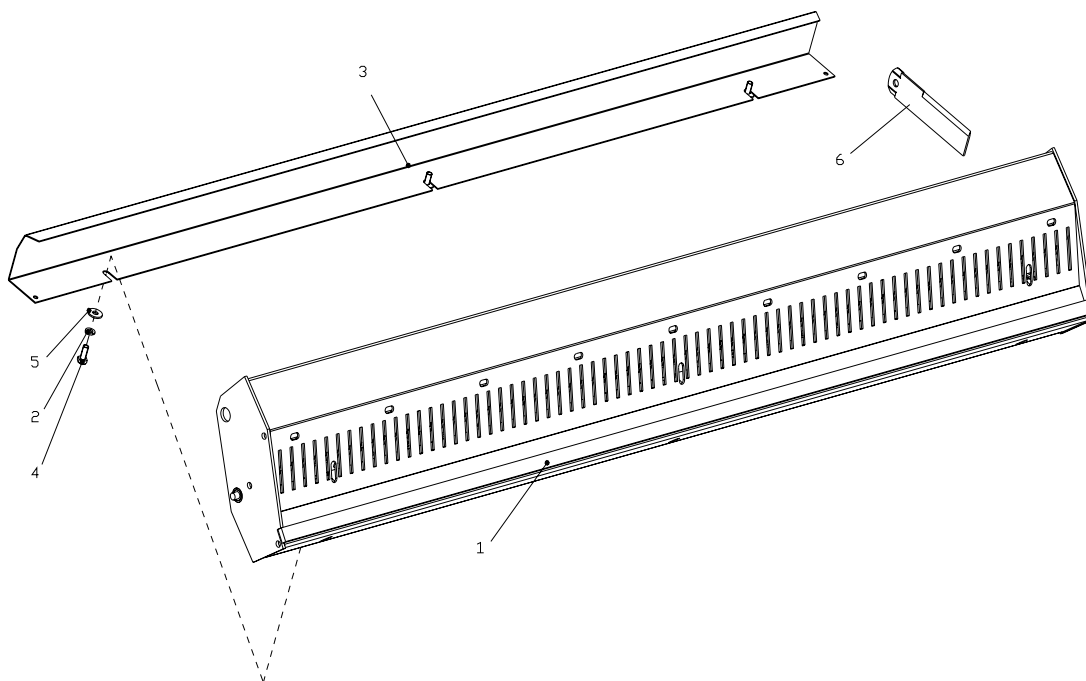
Pos	Qty			Description	Dimension	P/N
	6sw M403	6sw M803	6 sw fan			
1	2	2	2	Bearing		00597
2	1	1	1	Bracket		34673
3	1	1	1	Bracket		47152
4	1	1		Bracket		34692
5	4	4		Bushing 3.5		41350
6	1	1		Chopper housing		12818
6			1	Chopper housing		12789
7	1	1	1	Counter knife bar assy		34694
8	1	1	1	Cover		47154
9	1	1		Cross bar assy		47203
9			1	Cross bar		34626
10	2	2	2	Decal		02769
11	1	1	1	Decal		02806
12	1	1	1	Disc		33547
13			1	Key		00736
14	1	1	1	Knob		02058
15	1	1	1	Lever		23071
16	4	4		Lock nut	M10 DIN 980	09567
17	13	13	13	Lock nut	M8 DIN 980	09558
18	2	2	2	Lock plate		47151
19	2	2	2	Lock washer	10.2x18.1	00813
20	8	8	8	Lock washer	16.2x27.4x3.5	00815
21	2	2	2	Lock washer	8.1x14.8x2	00811
23	1	1	1	Plastic knob		02115
24	1	1	1	Plate		34690
25	2	2	2	Pop rivet	4.8x14	02085
26	1	1		Pulley		23047
26			1	Pulley		23075
27	2	2	2	Rivet nut		09584
28		1		Rotor assy NH CX 88 knives		12884
28	1			Rotor assy NH CX 68 knives		12887
28			1	Rotor assy fan with shafts		12790
29	2	2	2	Bearing support		00596
30	1	1	1	Rubber cloth		22885
31	4	4	4	Screw	M10x30	09218
32	1	1	1	Screw	M10x35	09219
33	8	8	8	Screw	M16x40	09357
34	10	10	10	Screw	M8x20	09209
35	8	8	8	Screw	M8x25	09210
36	1	1		Sensor ring		47153
36			1	Sensor ring		47180
37	2	2	2	Shield		46847
38	1	1	1	Special washer		46150
39	1	1	1	Tension pin	ø8x30	09703
40	6	6	6	Washer	10.5x26x2.0	00830
41	2	2	2	Washer	24.0x40x3.0	09649
42	28	28	28	Washer	8,4x22x2	00829
43	1	1		Washer		47198
44			2	Cover		23053
45			2	Plate		47173
46			2	Lock plate		47163
47			1	Fan lh		23050
48			1	Fan housing lh		12797
49			1	Fan channel lh		23049
50			1	Fan channel rh		23042
51			1	Fan housing rh		23039
52			1	Fan rh		12793

Swinging knife



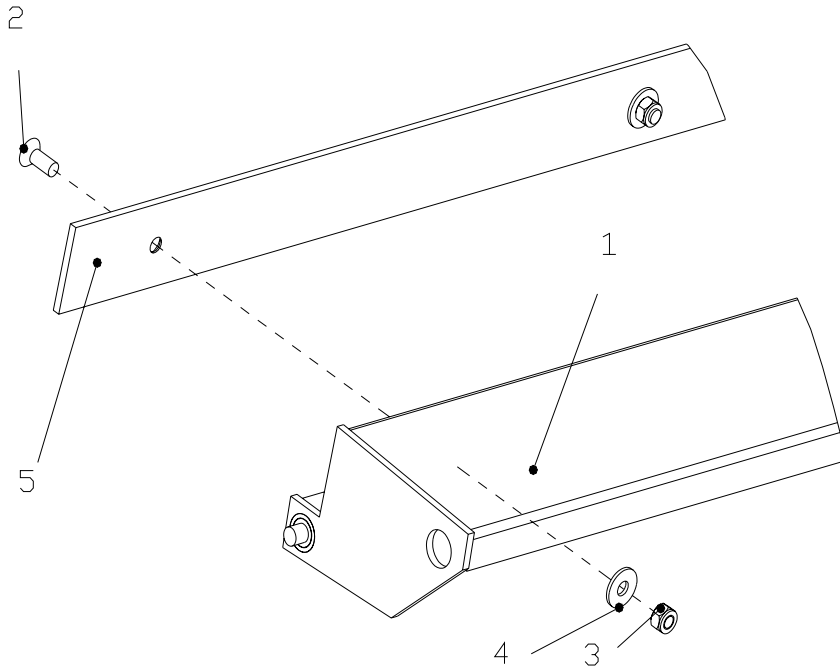
Pos.	5sw M403	5sw M803	6sw M403	6sw M803	6sw fan	Description	p/n
1	56	72	68	88	108	Bushing	44001
2	56	72	68	88	108	Flail knife	33770
3	28	36	34	44	54	Lock nut	09582
5	28	36	34	44	54	Screw	09330
6	56	72	68	88	108	Spacer	41349

Counter knife



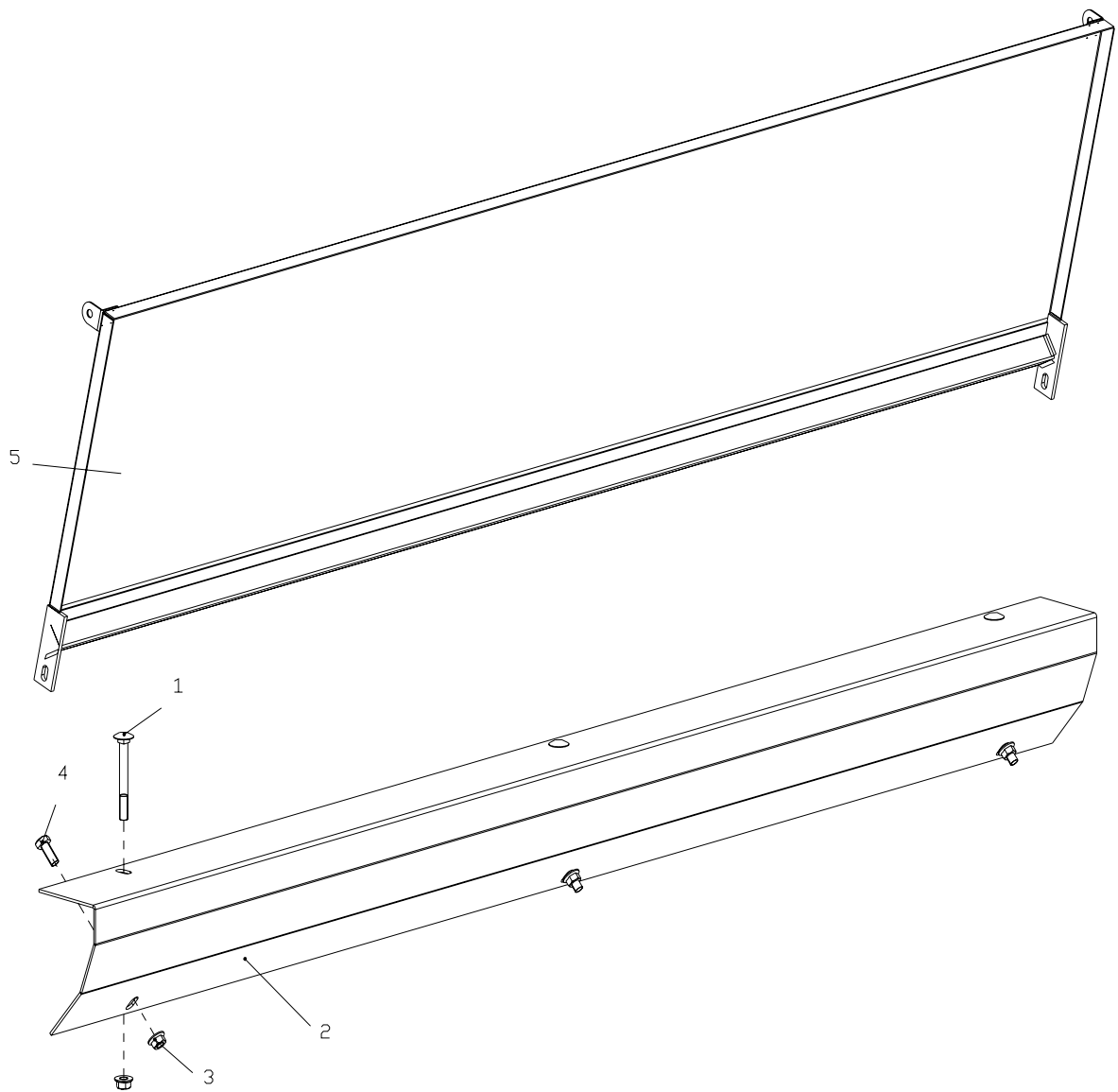
Pos	Qty 5sw M403,803	Qty 6sw M403,803	Description	Dimension	P/N
1	1	-	Counter knife bar		34801
1	-	1	Counter knife bar		34708
2	3	3	Lock washer	8.1x14.8x2	00811
3	1	-	Locking plate		34799
3	-	1	Locking plate		34615
4	3	3	Screw	M8x20	09209
5	3	3	Washer	8,4x22x2	00829
6	58	69	Counter knife		40151

Cross bar



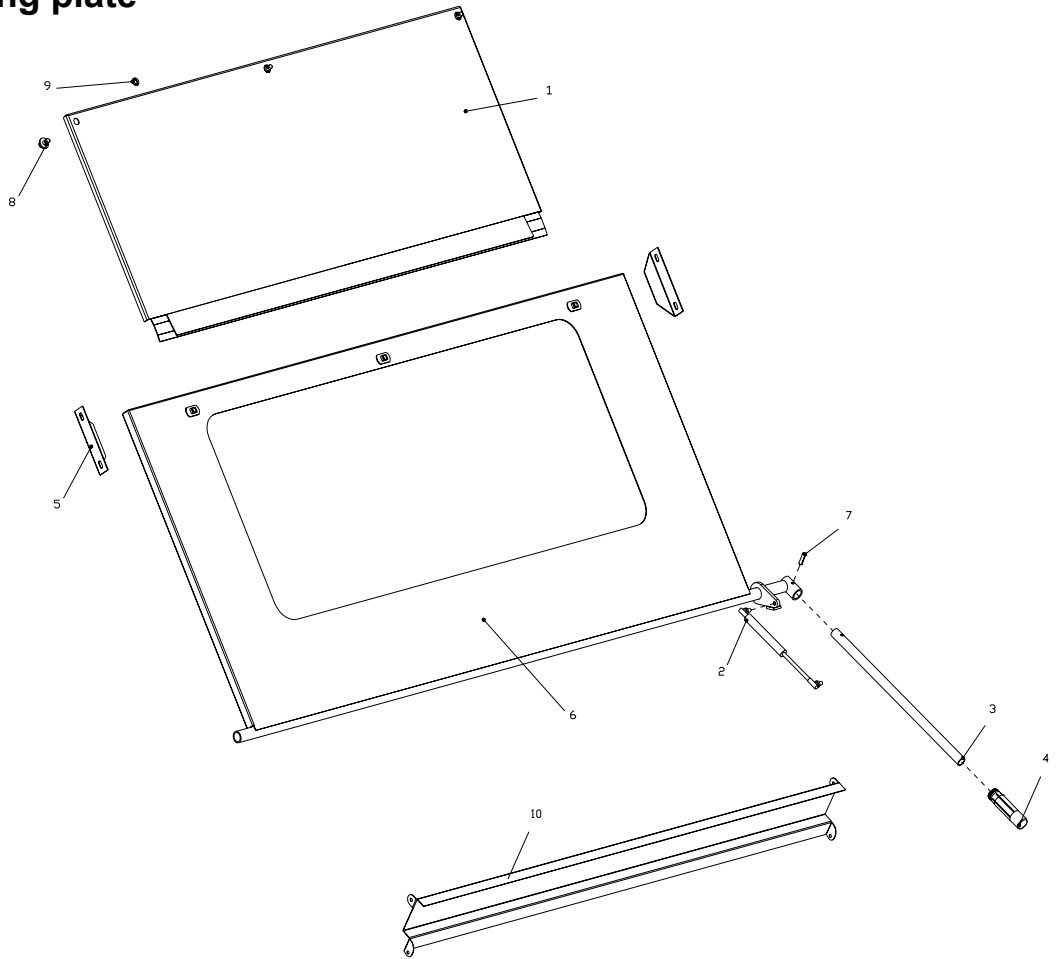
Pos	Qty 5sw	Qty 6sw	Description	Dimension	P/N
	M403,803	M403,803			
1	-	1	Cross bar		47202
1	1	-	Cross bar		47319
2	5	5	Screw	M8x20	09593
3	5	5	Lock nut	M8	09558
4	5	5	Washer	8,4x22x2	00829
5	-	1	Wear cross bar		23054
5	1	-	Wear cross bar		23225

Corn plates



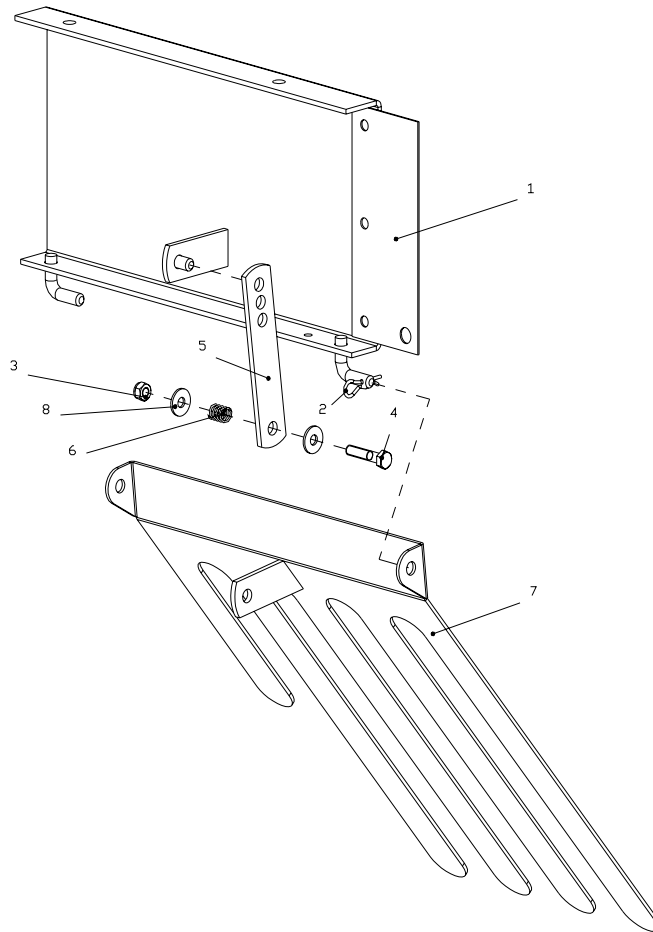
Pos	Qty 5sw M403,803	Qty 6sw M403,803	Description	Dimension	P/N
1	3	3	Carriage bolt	M10x90	09594
2	1	-			23228
2	-	1	Corn plate counter knife		23031
3	6	6	Flang lock nut	M10	09595
4	3	3	Screw	M10x25	09217
5	1	-	Rear corn plate		12908
5	-	1	Rear corn plate		12772

Swathing plate



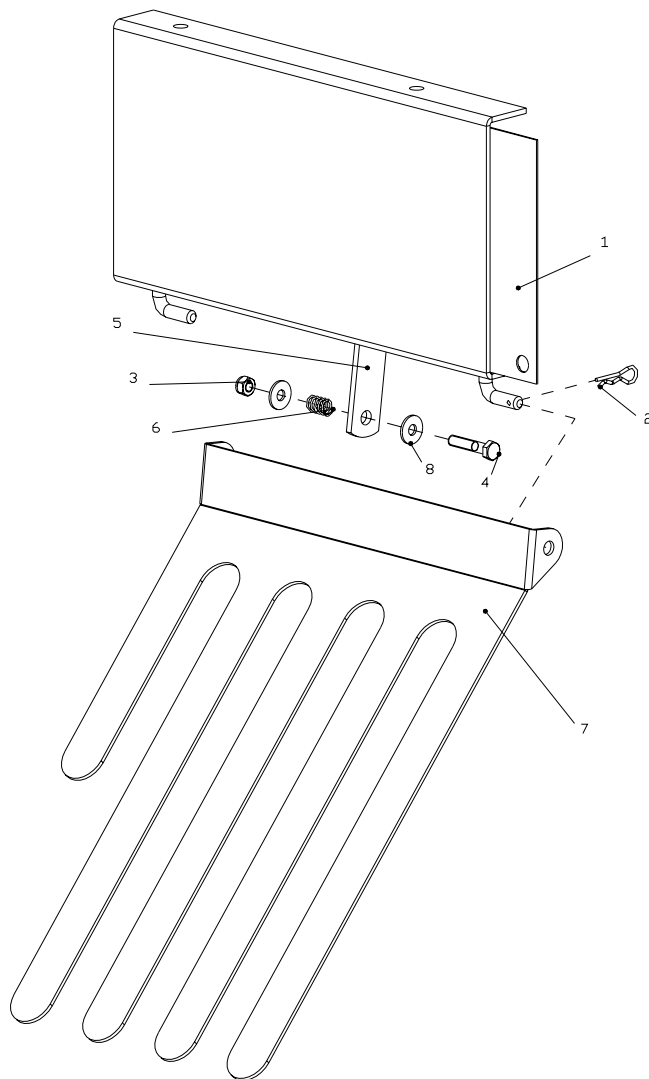
Pos	Qty 5sw M403,803	Qty 6sw M403,803	Description	Dimension	P/N
1	1	-	Door assy		12910
1	-	1	Door assy		12807
2	1	1	Gas op. cylindre		02408
3	1	1	Lever		34653
4	1	1	Plastic knob		02115
5	2	2	Stop		34597
6	1	-	Swathing plate		12912
6	-	1	Swathing plate		12806
7	1	1	Tension pin	ø8x30	09703
8	3	3	Quick lock		02986
9	3	3	Lock washer		02400
10	1	-	Upper guide plate		12913
10	-	1	Upper guide plate		12769

Straw fork lh



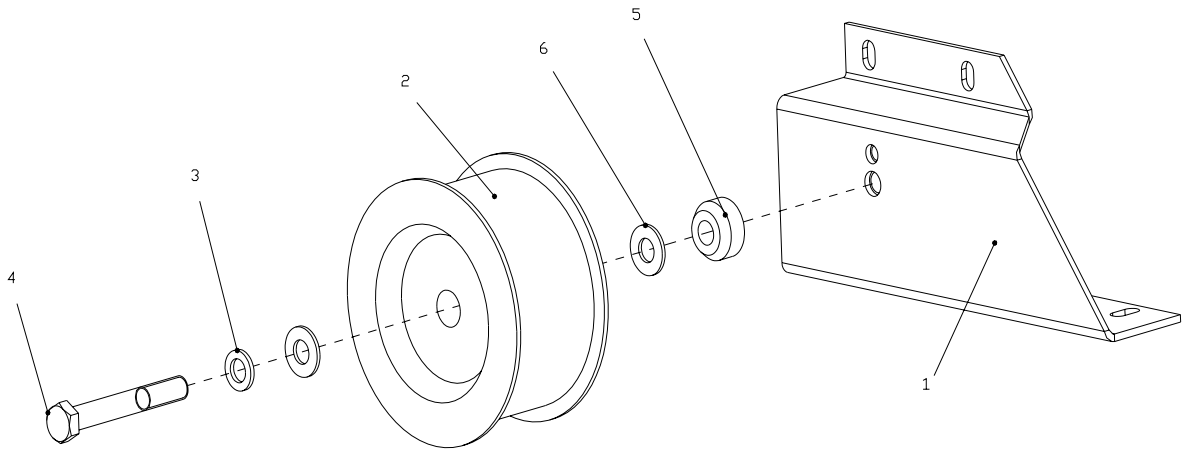
Pos	Qty.	Description	Dimension	P/N
1	1	Bracket welded		23062
2	1	Grip clip		00472
3	1	Lock nut	M8	09558
4	1	Screw	M8x40	09273
5	1	Setting		47189
6	1	Spring		02988
7	1	Straw fork welded		23064
8	2	Washer	8,4x22x2	00829

Straw fork rh

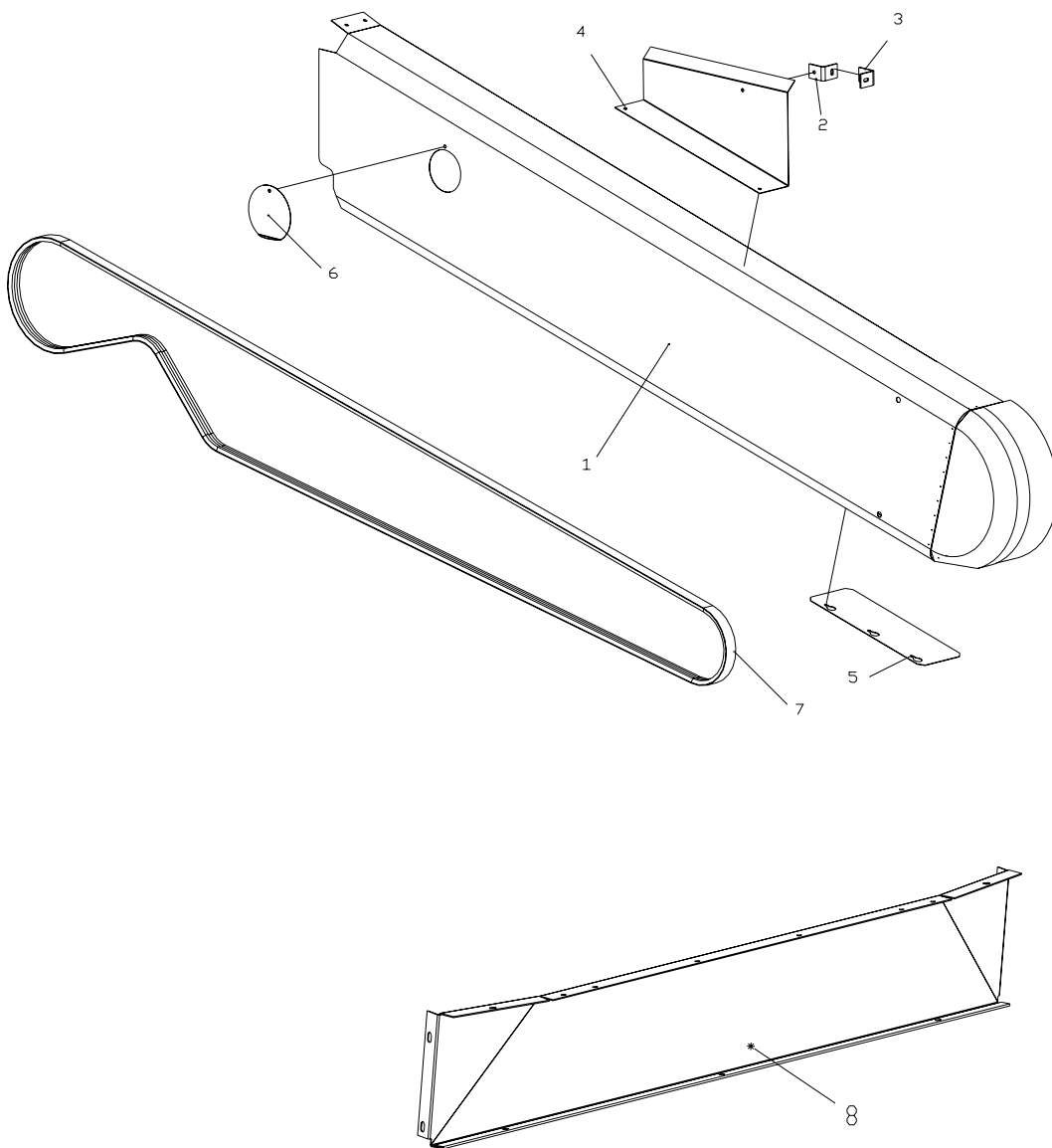


Pos	Qty.	Description	Dimension	P/N
1	1	Bracket welded		23063
2	1	Grip clip		00472
3	1	Lock nut	M8	09558
4	1	Screw	M8x40	09273
5	1	Setting		47189
6	1	Spring		02988
7	1	Straw fork welded		23065
8	2	Washer	8,4x22x2	00829

Idler

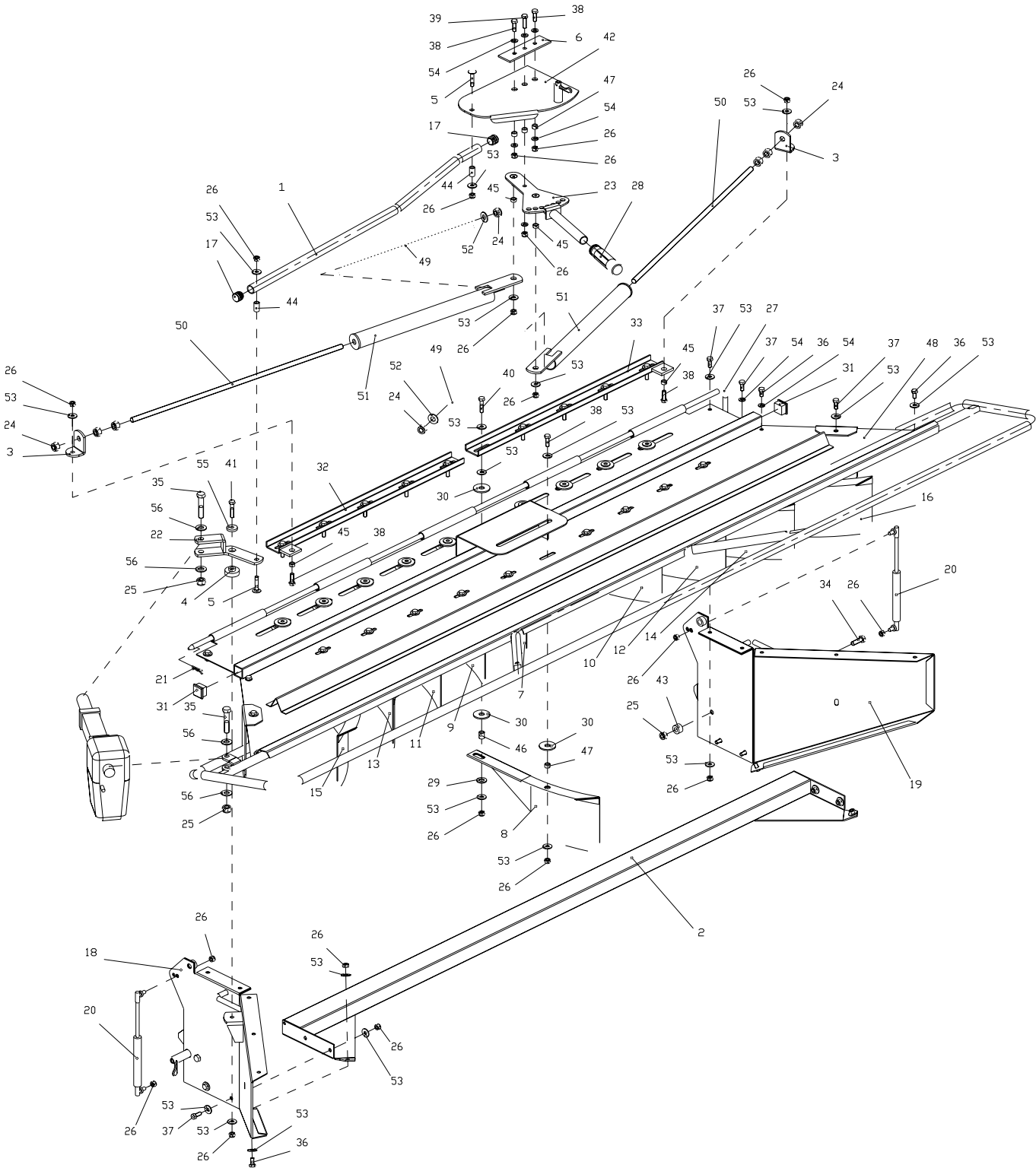


Pos	Qty.	Description	Dimension	P/N
1	1	Bracket welded		23023
2	1	Idler		47244
3	1	Lock washer		00815
4	1	Screw		09471
5	1	Spacer		47193
6	2	Washer		47194



Key	Qty.			Description	Dimension	P/N
	5 sw	6sw	6sw fan			
1	1	1		Belt guard welded		12801
1			1	Belt guard welded		12804
2	1	1	1	Bracket		47191
3	1	1	1	Bracket		47192
4	1	1	1	Guard		34671
5	1	1	1	Guard for pulley		47190
6	1	1	1	Lock		46057
7	1	1	1	Belt		01672
8	1			Rear door		12935
8		1	1	Rear door		12934

Tailboard 5sw, 6sw



Key	Qty		Description	Dimension	P/N
	6 sw	6 sw fan			
1	1	1	Bar		34663
2	1		Bottom rod		34686
2		1	Bottom rod		23038
3	2	2	Bracket		47175
4	1	1	Bushing		34519
5	2	2	Carriage bolt	M8x40	09733
6	1	1	Cover plate		34625
7	1	1	Deflector 1 LH		33813
8	1	1	Deflector 1 RH		33812
9	1	1	Deflector 2 LH		33815
10	1	1	Deflector 2 RH		33814
11	1	1	Deflector 3 LH		33817
12	1	1	Deflector 3 RH		33816
13	1	1	Deflector 4 LH		33819
14	1	1	Deflector 4 RH		33818
15	1	1	Deflector 5 LH		33821
16	1	1	Deflector 5 RH		33820
17	2	2	Finned plug		03082
18	1	1	Gabel lh		12816
19	1	1	Gabel rh		12817
20	2	2	Gas op. cylinder		02408
21	1	1	Grip clip		00472
22	1	1	Lever		34618
23	1	1	Lever		34682
24	8	8	Lock nut	M12	09568
25	4	4	Lock nut	M10	09567
26	50	50	Lock nut	M8	09558
27	1	1	Lock rod		47178
28	1	1	Plastic knob		02115
29	10	10	Plastic washer	13x24x2.5	09710
30	30	30	Plastic washer	13x40x3	09709
31	2	2	Plug		02987
32	1	1	Rail LH		34684
33	1	1	Rail RH		34683
34	2	2	Screw	M10x30	09218
35	2	2	Screw	M10x60	09223
36	6	6	Screw	M8x16	09208
37	10	10	Screw	M8x20	09209
38	14	14	Screw	M8x25	09210
39	1	1	Screw	M8x30	09266
40	10	10	Screw	M8x35	09250
41	1	1	Screw	M8x40	09273
42	1	1	Setting device		34620
43	2	2	Spacer		46167
44	2	2	Spacer		47114
45	4	4	Spacer		46587
46	10	10	Spacer front		46583
47	13	13	Spacer rear		46584
48	1	1	Spreader hood top		12812
49	2	2	Spring		02026
50	2	2	Threaded rod	M12	34656
51	2	2	Tube		34685
52	2	2	Washer	12.5x26x2	00826
53	85	85	Washer	8,4x22x2	00829
54	10	10	Washer	8.4x16x1.5	00831
55	1	1	Washer	8.4x26x5	00858
56	4	4	Washer	10,5x22	00827
57	1	1	Spreader hood cpl		12771