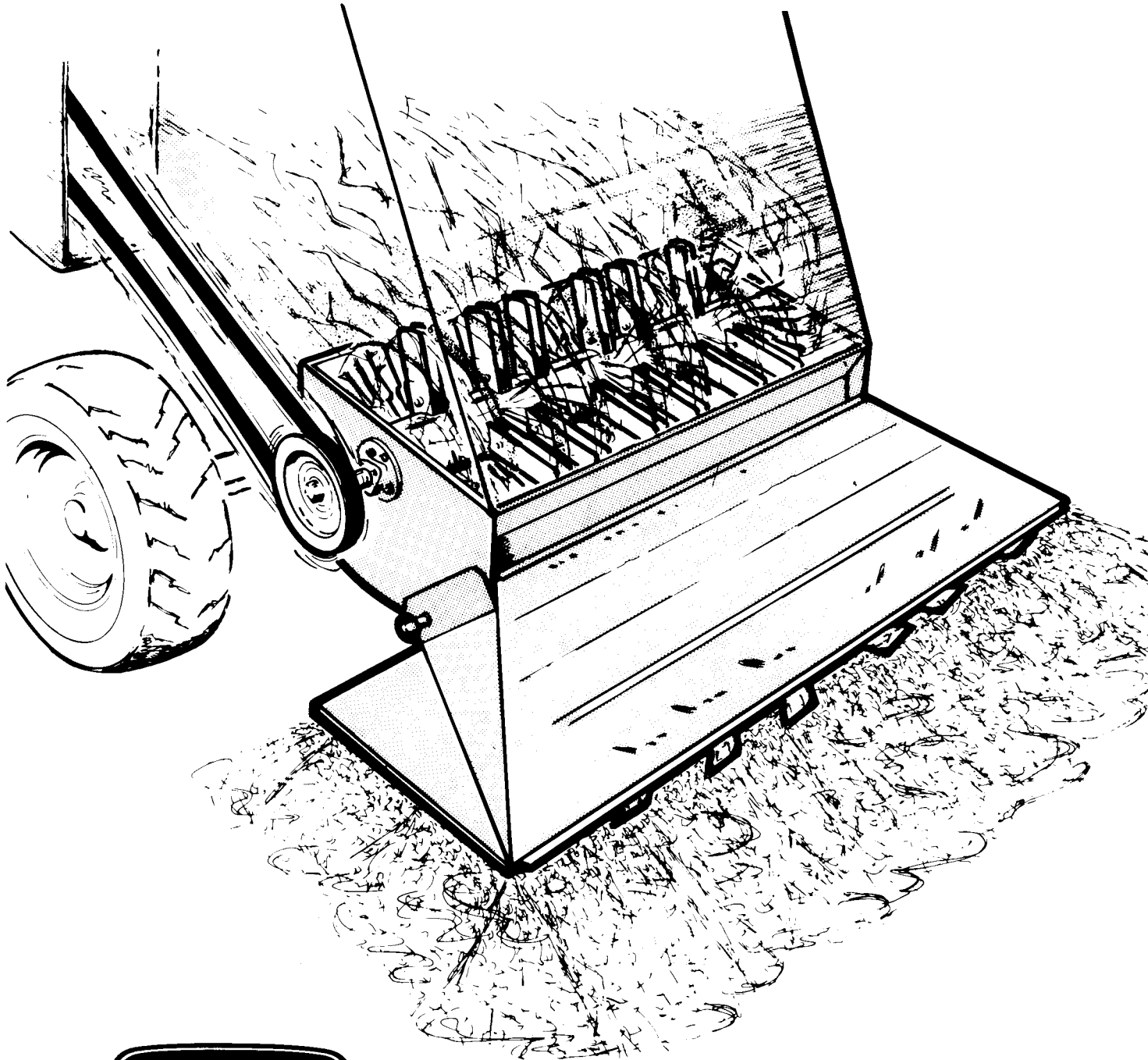
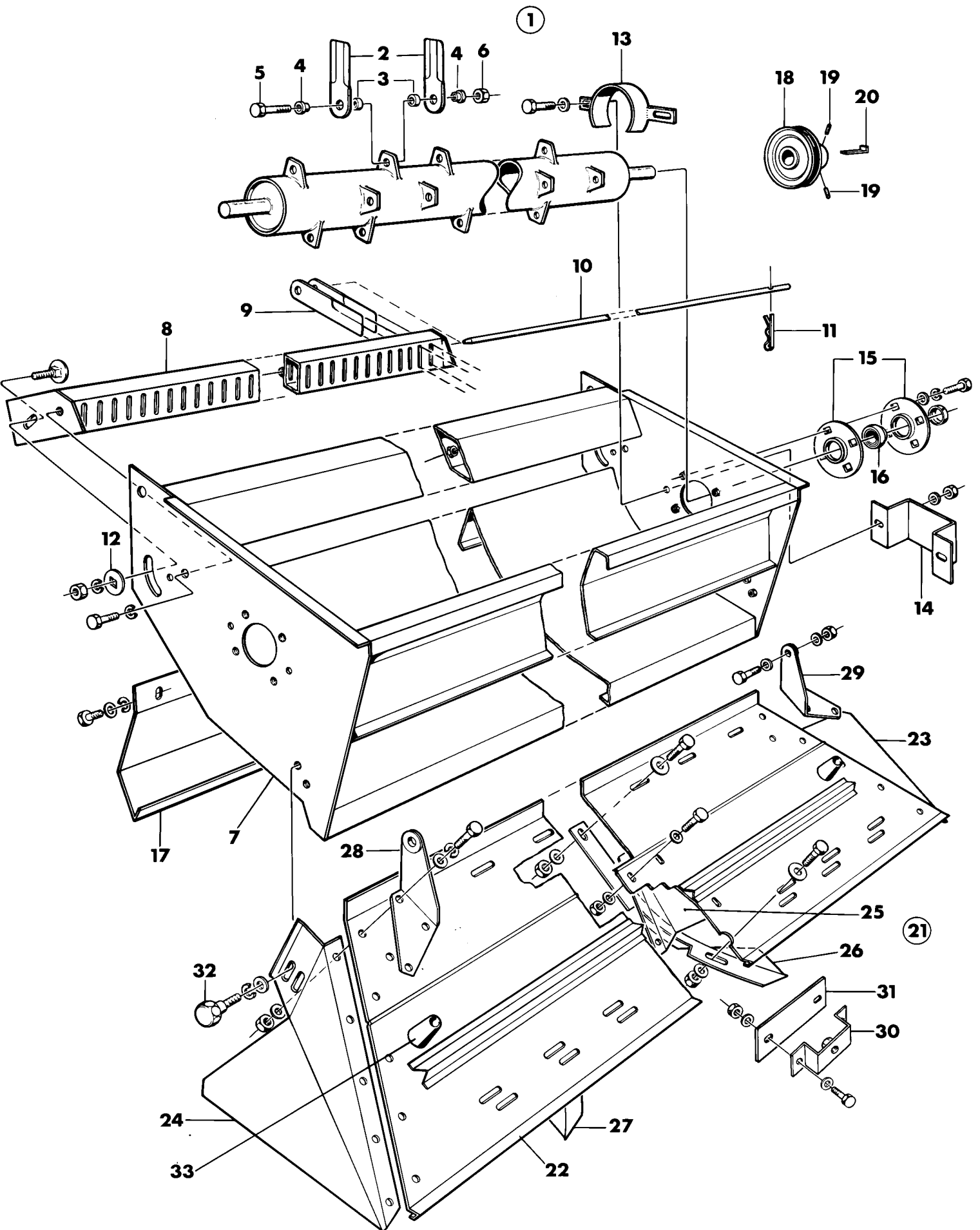


REKORD

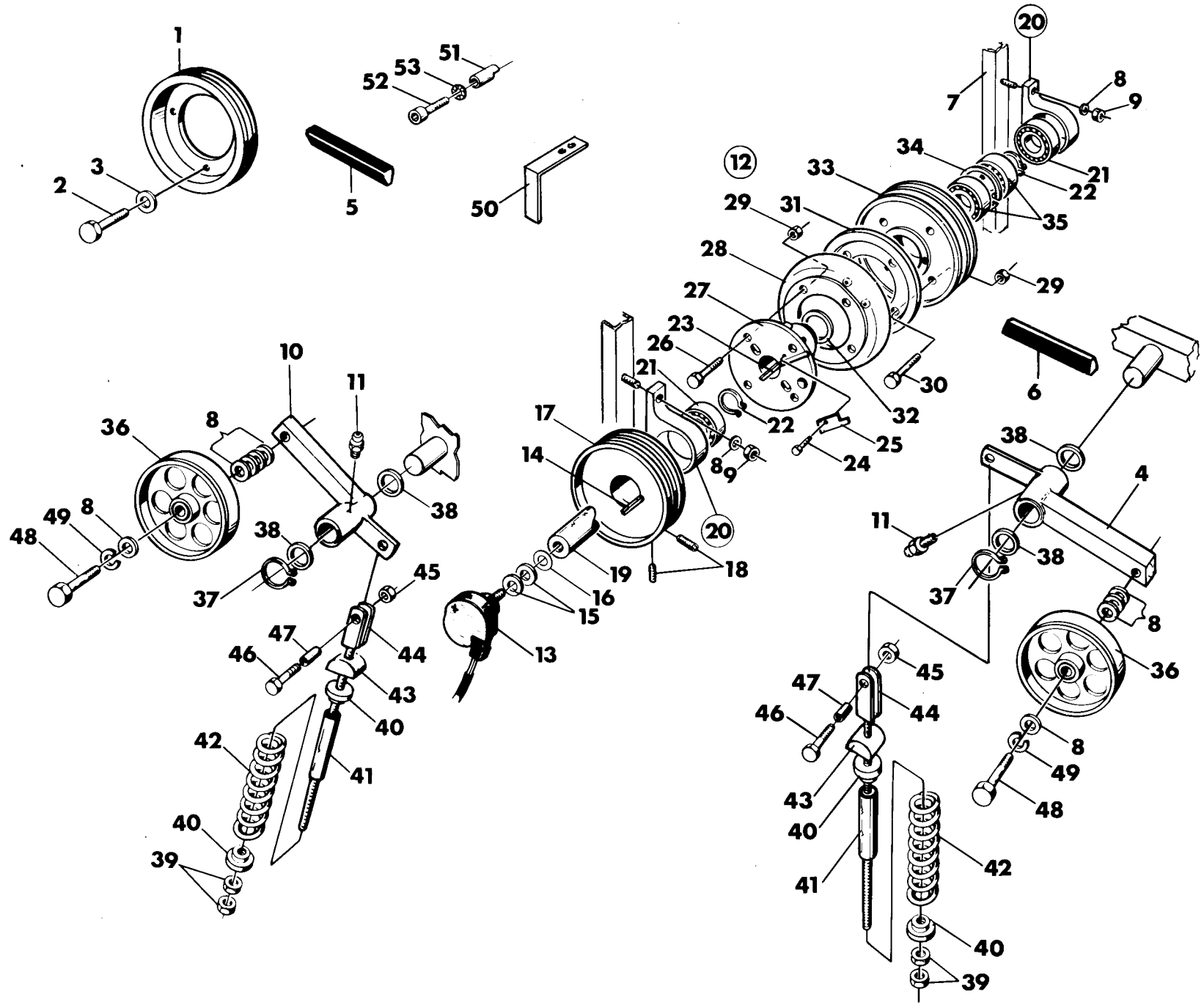
CLIPPER



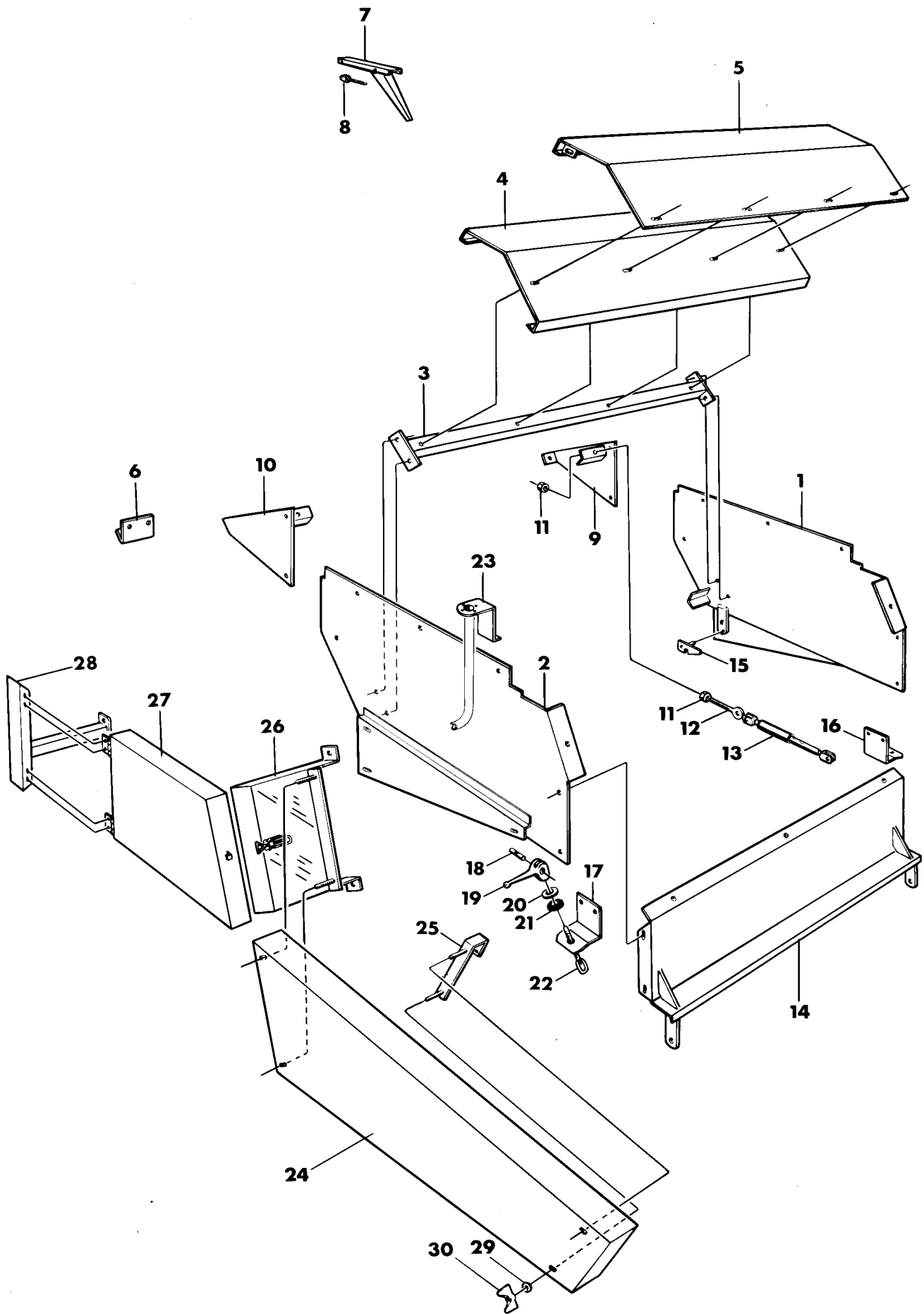
• 1032 • 1042 •



| Pos. nr. Repère | Beställn. nr. Order nr. Bestellenr. No. pièce | Antal Qty Anzahl Qté | Anm. Note |
|--------------------|--------------------------------------------------------|-------------------------------|-------------------|
| 1 | 11054 | 1 | |
| 2 | 44280 | 36 | |
| 3 | -41349 | 36 | |
| 4 | 44001 | 36 | |
| 5 | -09330 | 18 | M6S M10x50 |
| 6 | -09582 | 18 | Beeloc M10 |
| 7 | 11051 | 1 | |
| 8 | 31874 | 1 | |
| 9 | 40151 | 35 | |
| 10 | 42384 | 1 | |
| 11 | 00472 | 1 | |
| 12 | 40499 | 2 | |
| 13 | 20865 | 2 | |
| 14 | 20864 | 1 | |
| 15 | 00524 | 4 | SKF PF 80 |
| 16 | 00521 | 2 | SKF 238208 BD-2LS |
| 17 | 31873 | 1 | |
| 18 | 40179 | 1 | |
| 19 | 09338 | 2 | SK6SS M10x20 |
| 20 | 00706 | 1 | |
| 21 | 21280 | 1 | |
| 22 | -21201 | 1 | |
| 23 | -10805 | 1 | |
| 24 | -10804 | 1 | |
| 25 | -20966 | 1 | |
| 26 | -20860 | 2 | |
| 27 | -20861 | 2 | |
| 28 | -31578 | 1 | |
| 29 | -31579 | 1 | |
| 30 | 43477 | 1 | |
| 32 | 02057 | 2 | |
| 33 | 00452 | 2 | |



| Pos. nr. Repère | Beställn. nr. Order nr. Bestellenr. No. pièce | Antal Qty Anzahl Qté | Anm. Note |
|--------------------|--------------------------------------------------------|-------------------------------|----------------|
| 1 | 20001 | 1 | |
| 2 | 09233 | 4 | M6S M12x40 |
| 3 | 00821 | 4 | AZ Ø12,5 |
| 4 | 31943 | 1 | |
| 5 | 01513 | 1 | |
| 6 | 01555 | 1 | |
| 7 | 11171 | 1 | |
| 8 | 00828 | 13 | SRB Ø13x38 |
| 9 | 09568 | 4 | Nyloc M12 |
| 10 | 31944 | 1 | |
| 11 | 00400 | 2 | |
| 12 | 11172 | 1 | |
| 13 | -02133 | 1 | |
| 14 | -00702 | 1 | |
| 15 | -00826 | 2 | SRB Ø12,5 x 26 |
| 16 | -02075 | 1 | |
| 17 | -31066 | 1 | |
| 18 | -09338 | 2 | SK6SS M10x20 |
| 19 | -21261 | 1 | |
| 20 | -00543 | 2 | SKF SY 40 FJ |
| 21 | --00521 | 2 | |
| 22 | -00604 | 2 | |
| 23 | -00713 | 1 | |
| 24 | -09348 | 1 | B10x13 |
| 25 | -42470 | 1 | |
| 26 | -09217 | 4 | M6S M10x25 |
| 27 | -20666 | 1 | |
| 28 | -02128 | 1 | |
| 29 | -09567 | 8 | Beeloc M10 |
| 30 | -09218 | 4 | M6S M10x30 |
| 31 | -02129 | 1 | |
| 32 | -02031 | 1 | |
| 33 | -20671 | 1 | |
| 34 | -00609 | 1 | |
| 35 | -00548 | 2 | SKF 6208-2RS |
| 36 | 31487 | 2 | |
| 37 | 00604 | 2 | |
| 38 | 02031 | 4 | |
| 39 | 09533 | 4 | M6M M12 |
| 40 | 42892 | 4 | |
| 41 | 42895 | 2 | |
| 42 | 42896 | 2 | |
| 43 | 42834 | 2 | |
| 44 | 31462 | 2 | |
| 45 | 09567 | 2 | Beeloc M10 |
| 46 | 09235 | 2 | |
| 47 | 42868 | 2 | |
| 48 | 09275 | 2 | M6S M12x80 |
| 49 | 00823 | 2 | FBB Ø12,2 |
| 50 | 43476 | 1 | |
| 51 | 42416 | 2 | |
| 52 | 09349 | 2 | MC6S M10x80 |
| 53 | 00820 | 2 | AZ Ø10,5 |



| Pos. nr. Repère | Beställn. nr. Order nr. Bestellenr. No. pièce | Antal Qty Anzahl Qté | Anm. Note |
|--------------------|--------------------------------------------------------|-------------------------------|--------------|
| 1 | 11165 | 1 | |
| 2 | 11168 | 1 | |
| 3 | 31904 | 1 | |
| 4 | 11105 | 1 | |
| 5 | 11163 | 1 | |
| 6 | 43469 | 1 | |
| 7 | 31609 | 1 | |
| 8 | -02228 | 1 | |
| 9 | 31937 | 1 | |
| 10 | 31938 | 1 | |
| 11 | 09533 | 4 | M6M M12 |
| 12 | 43088 | 2 | F=1200 N |
| 13 | 02066 | 2 | |
| 14 | 11161 | 1 | |
| 15 | 43009 | 1 | |
| 16 | 43341 | 1 | |
| 17 | 43340 | 1 | |
| 18 | 40040 | 2 | |
| 19 | 30827 | 2 | |
| 20 | 40298 | 2 | |
| 21 | 40052 | 2 | |
| 22 | 40041 | 2 | |
| 23 | 43468 | 1 | |
| 24 | 21270 | 1 | |
| 25 | 43447 | 1 | |
| 26 | 21278 | 1 | |
| 27 | 21273 | 1 | |
| 28 | 21274 | 1 | |
| 29 | 00808 | 4 | |
| 30 | 09548 | 4 | VM M6 |